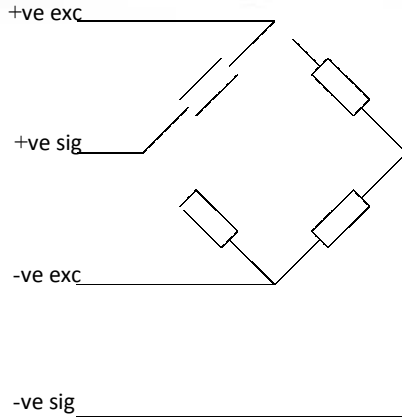


Tension Cell

100N to 20kN

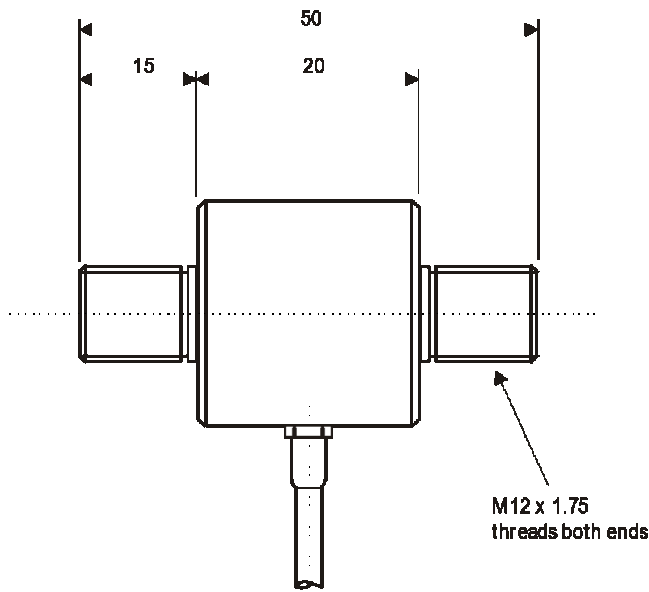


- Tension and Compression
- Sealed to IP65
- Low profile and
- Integral male threads for in-line mounting
- High Natural Frequency
- Low Deflection

Capacities	0.1,0.2,0.5,1,2,5,10,20	kN
Full Load Output	2.0 (±0.25%)	mV/V
Zero Load Output	<±2.0	%
Excitation (Max)	10 (15)	V
Accuracy	<0.25	%
Repeatability	<0.01	%
Input Resistance	375 (±20)	Ω
Output Resistance	350 (±2)	Ω
Compensated Temp. Range	-10 to +40	°C
Operating Temp. Range	-20 to +60	°C
Temp. Coefficient on Zero	<0.0015	% Capacity/°C
Temp Coefficient on Span	<0.002	% Capacity/°C
Safe Overload	140	%
Insulation	>500 @100Vdc	MΩ
Environmental Protection	IP65	
Cable Length	4	m

Options :
 Non-standard sizes and ranges available on request
 Shunt calibration facility
 Spherical seating rod end bearings
 Different cable lengths and special mounting fixtures

Specifications subject to change without notice



All dimensions in mm

