

Telemetry Shackle Pin

High strength marine shackle pin



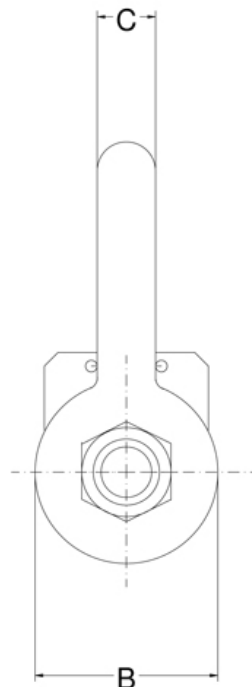
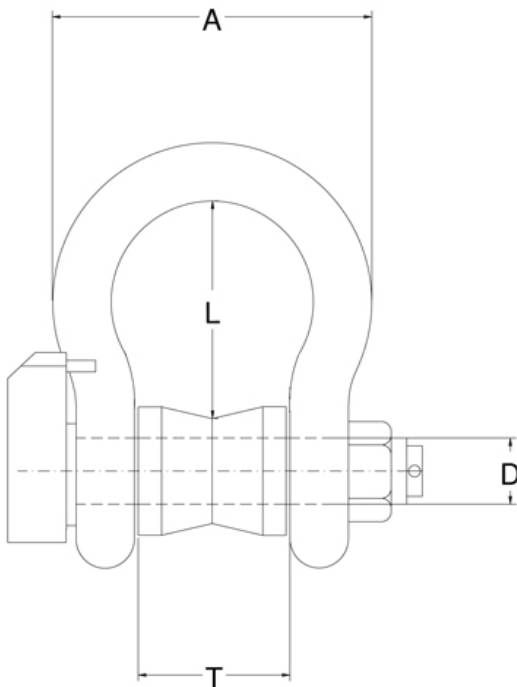
- Range 6.5te to 500te
- Sealed to IP66
- Range up to 200m
- 255 address settings
- Auto power down
- Robust Construction

Capacities	6.5 to 500	tonne
Full Load Output	2.0 nom.	mV/V
Zero Load Output	<±2	%
Excitation (Max)	7.2	V
Accuracy	<0.5	%
Repeatability	<0.10	%
Input Resistance	745	Ω
Output Resistance	700	Ω
Compensated Temp. Range	-10 to +40	°C
Operating Temp. Range	-20 to +60	°C
Temp. Coefficient on Zero	<0.005	% Capacity/°C
Temp Coefficient on Span	<0.003	% Capacity/°C
Safe Overload	150	%
Insulation	>500 @100Vdc	MΩ
Environmental Protection	IP66	
Battery Life	150	hours

Capacity (te)	A	B	C	D	L	T
6.5	100	54	22	25.4	84	38
12	146	76	32	35	119	50
25	171	106	45	50	146	73
35	197	127	51	57	187	83
55	311	142	68	70	267	105
120	420	203	92	95	350	130
150	460	229	100	108	371	140
250	625	305	115	127	508	215

All dimensions in mm

Specifications subject to change without notice



Options :

Other ranges available on request
Crosby or Green pin