

# Telemetry Load Shackle



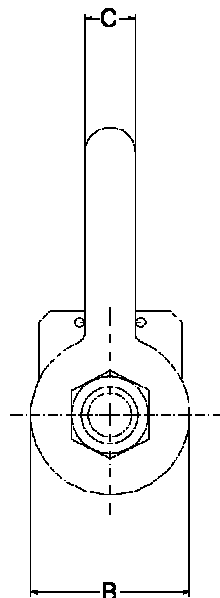
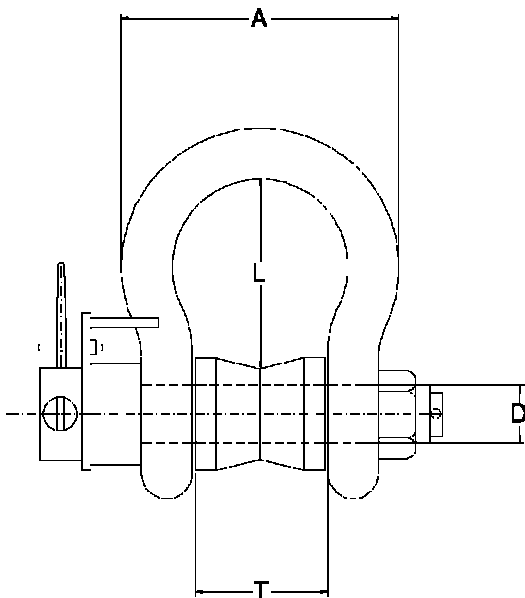
- Range 6.5te to 2000te
- Sealed to IP67
- Transmission Distance up to 200m
- 10 Step Linearisation
- Auto power down
- Robust Stainless Steel Construction

Capacities	6.5 to 2000	tonne
Radio Frequency	2.4	GHz
Accuracy	±0.5	%
Input Resistance	1070	Ω
Output Resistance	1000	Ω
Compensated Temp. Range	-10 to +40	°C
Operating Temp. Range	-20 to +60	°C
Temp. Coefficient on Zero	<0.005	% FRO/°C
Temp Coefficient on Span	<0.003	% FRO/°C
Safe Overload	150	%
Ultimate Overload	400	%
Insulation	>500 @100Vdc	MΩ
Environmental Protection	IP67	
Battery Life	200	Hours (up to)

Specifications subject to change without notice

Capacity (te)	A	B	C	D	L	T
6.5	100	54	22	25.4	84	38
12	146	76	32	35	119	50
25	171	106	45	50	146	73
35	197	127	51	57	187	83
42.5	274	130	57	65	222	95
55	311	142	68	70	267	105
85	340	162	75	83	329	127
120	420	203	92	95	350	130
150	460	229	100	108	371	140
200	533	267	114	121	397	184
250	625	305	115	127	508	215

All dimensions in mm



## Features and Benefits

- Long battery life
- Error free data transmission
- Active repeater to extend transmission range
- Remote on/off
- Load centering bobbin
- Environmentally sealed
- Other capacities available on request