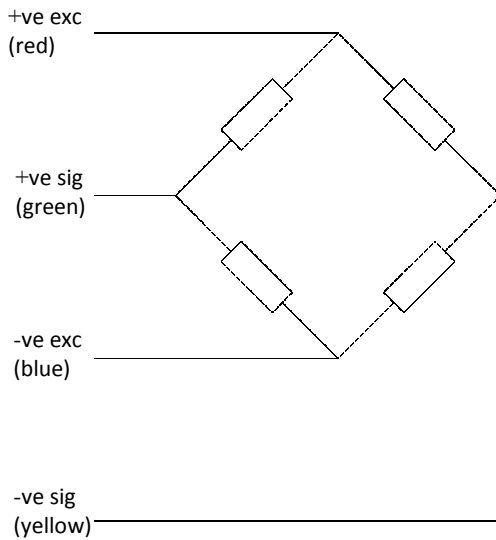


# Single Beam Silo Mount Vessel Weighing Assembly



- Low height
- Stainless Assembly
- Stainless load cell
- High accuracy
- Sealed to IP68
- High resistance



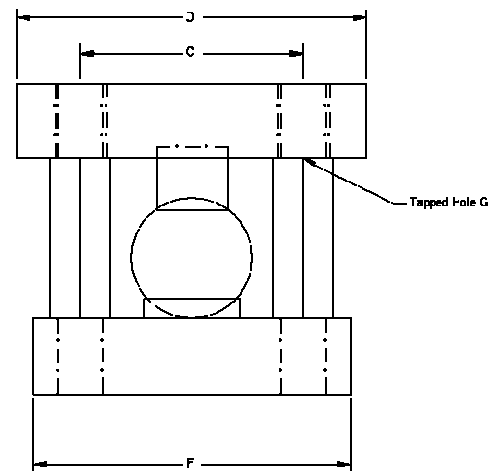
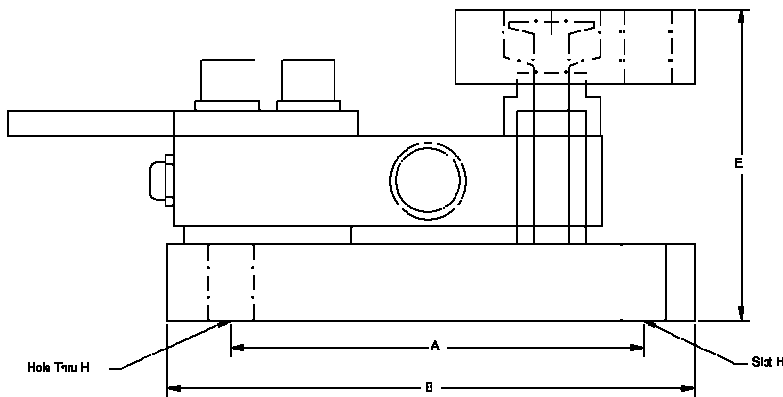
Capacities	250-2000	Kg
Full Load Output	2.0 (±0.25%)	mV/V
Zero Load Output	<±2.0	%
Excitation (Max)	10 (15)	V
Accuracy	<0.05	%
Repeatability	<0.01	%
Input Resistance	375 (±20)	Ω
Output Resistance	350 (±2)	Ω
Compensated Temp. Range	-10 to +40	°C
Operating Temp. Range	-20 to +60	°C
Temp. Coefficient on Zero	<0.005	% Capacity/°C
Temp Coefficient on Span	<0.005	% Capacity/°C
Safe Overload	150	%
Insulation	>500 @100Vdc	MΩ
Environmental Protection	IP68	
Cable Length	4	m

Specifications subject to change without notice

All dimensions in mm

Capacity	A	B	C	D	E	F	ØG	ØH
0.25 – 2t	130	165	70	110	100	100	M16	13.6

Options :  
Atex version available.



SELB  
ATEX / IECEx Approved to  
Ex ia IIC T6  
Ex tD A20 IP68 T85C

