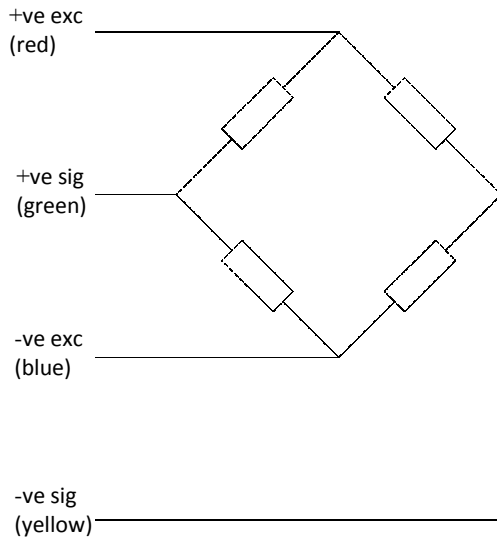


S Cell

Low Capacity

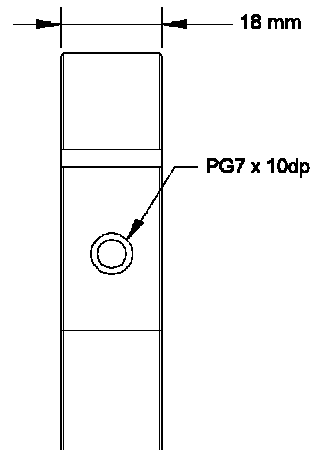
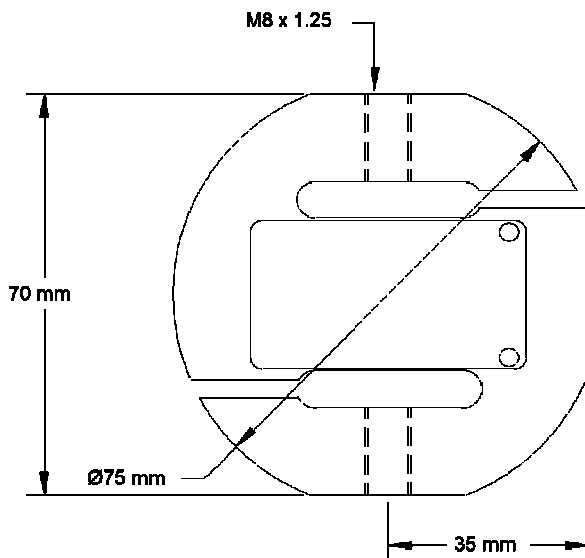


- Bolt on covers
- Stainless steel
- Sealed to IP67
- Tension and compression
- High accuracy
- Two year warranty



Capacities	10, 25, 50, 100	kg
Full Load Output	2.0 ($\pm 0.25\%$)	mV/V
Zero Load Output	$< \pm 2.0$	%
Excitation (Max)	10 (15)	V
Accuracy	< 0.03	%
Repeatability	< 0.01	%
Input Resistance	410 (± 30)	Ω
Output Resistance	350 (± 2)	Ω
Compensated Temp. Range	-10 to +40	$^{\circ}\text{C}$
Operating Temp. Range	-20 to +60	$^{\circ}\text{C}$
Temp. Coefficient on Zero	< 0.0015	% Capacity/ $^{\circ}\text{C}$
Temp Coefficient on Span	< 0.002	% Capacity/ $^{\circ}\text{C}$
Safe Overload	150	%
Insulation	$> 500 @ 100\text{Vdc}$	$\text{M}\Omega$
Environmental Protection	IP67	
Cable Length	4	m

Specifications subject to change without notice



Options :
eye-bolts, compression fittings and instrumentation.
Please enquire for details.