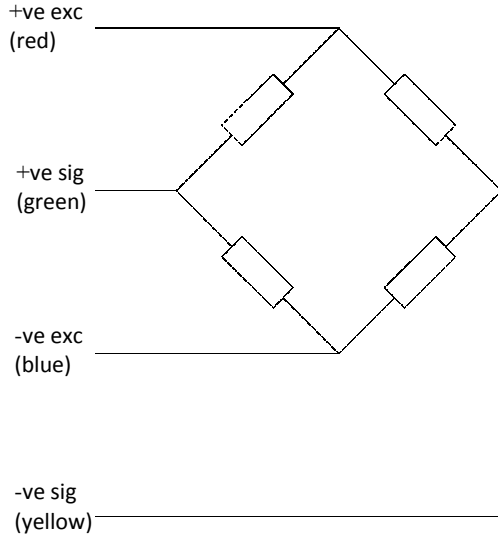


Low Profile

Stainless Steel Series



- Range 5kN to 1000kN
- Low profile design
- Low deflection
- Atex certification available
- High natural frequency
- Excellent rejection of extraneous forces
- Fatigue Rated to 10^9 full cycles

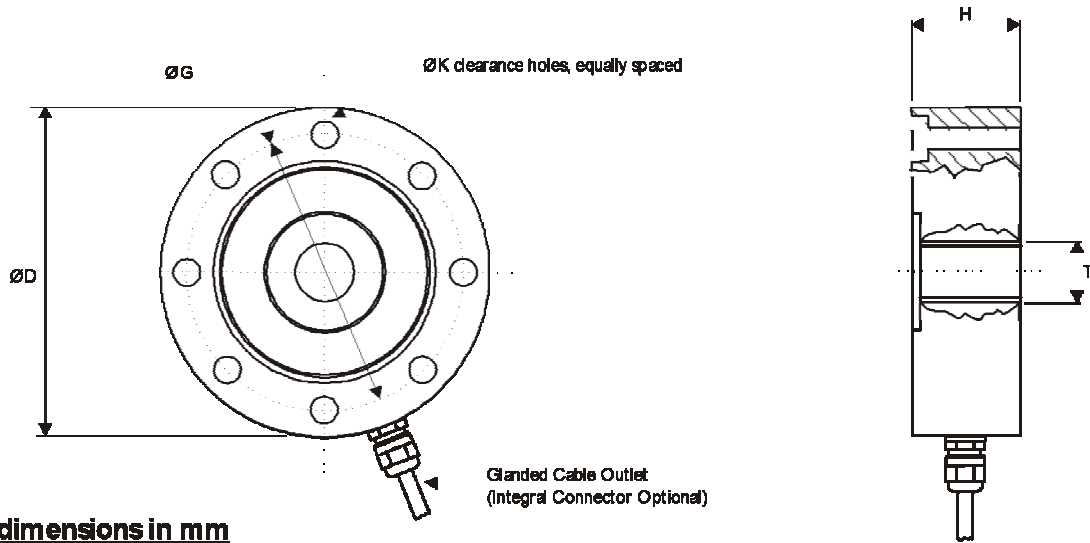


Options :
 Other ranges available on request
 Full range of mounting options
 Connector version
 Double bridge version

Capacities	±5, ±10, ±25, ±50 ±100, ±200, ±500, ±1000	kN
Full Load Output	2.0 (±0.25%)	mV/V
Zero Load Output	<±2.0	%
Excitation (Max)	10 (15)	V
Accuracy	<0.1	%
Repeatability	<0.03	%
Input Resistance	375(±20)	Ω
Output Resistance	350	Ω
Compensated Temp. Range	-10 to +40	°C
Operating Temp. Range	-20 to +60	°C
Temp. Coefficient on Zero	<0.0050	% Capacity/°C
Temp Coefficient on Span	<0.0050	% Capacity/°C
Safe Overload	150	%
Insulation	>500 @100Vdc	MΩ
Environmental Protection	IP65	
Cable Length	4	m

Specifications subject to change without notice

Range (kN)	D	H	G	K	T
5, 10, 25, 50	107	33	90	8 off Ø8.5	M20 x 2
100, 200	155	45	130	12 off Ø11	M36 x 2
500, 1000	280	78	230	16 off Ø17	M64 x 6



All dimensions in mm

LPMW
 ATEX / IECEx Approved to
 Ex ia IIC T6
 Ex tD A20 IP68 T85C

