

Clamp-On Series

Rope Clamp-On Load Cell

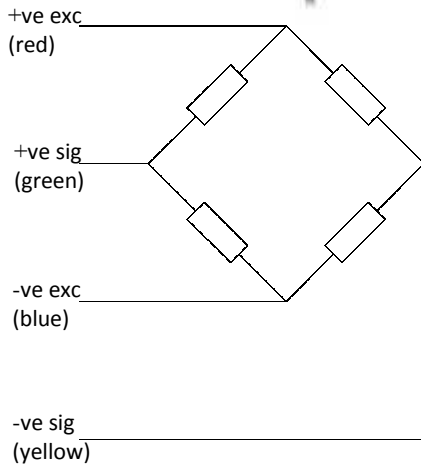
Size 1



- Range 750 to 7000 kg
- For use with standard rope sizes 3/8" - 1"
- Fully welded stainless steel construction
- Sealed to IP68
- Low Weight

Approx. Capacities	0.75, 1.7, 3, 4, 5.7, 7	tonne
Full Load Output	1.0 nom	mV/V
Zero Load Output	<±5.0	%
Excitation (Max)	10 (15)	V
Accuracy	<1	%
Repeatability	<0.25	%
Input Resistance	375 (±20)	Ω
Output Resistance	350 (±2)	Ω
Compensated Temp. Range	-10 to +40	°C
Operating Temp. Range	-20 to +60	°C
Temp. Coefficient on Zero	<0.0010	% Capacity/°C
Temp Coefficient on Span	<0.0010	% Capacity/°C
Safe Overload	150	%
Insulation	>500 @100Vdc	MΩ
Environmental Protection	IP68	
Cable Length	10	m

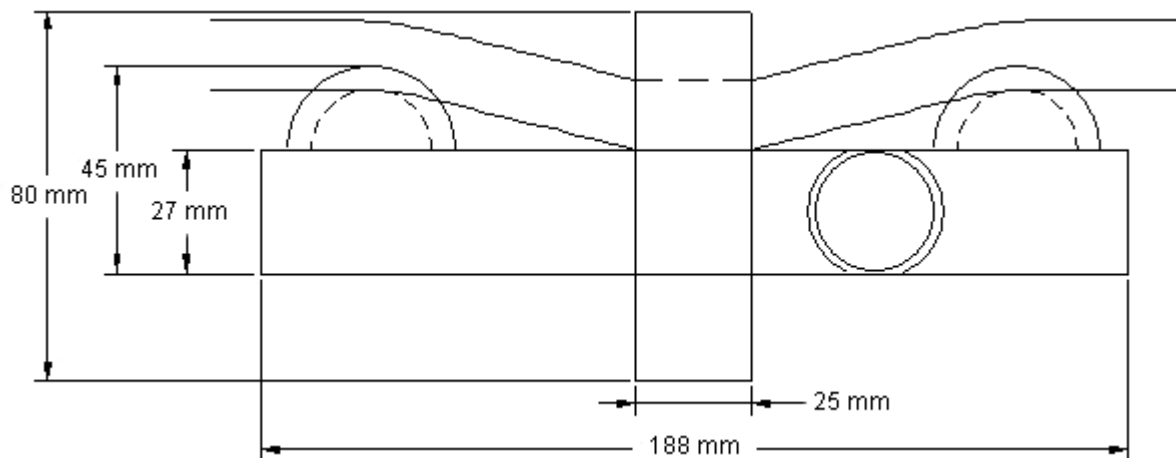
Specifications subject to change without notice



Parallel clamping system negates the need to alter standard rope installations, allowing straightforward fitting to existing systems.

Options: Other ranges available on request
Interchangeable Blocks to vary load capacity/
rope gauge.

Rope Thickness (in.)	Rope Thickness (mm)	LOAD (kg)
3/8"	8-10	750
1/2"	11-13	1700
5/8"	14-16	3000
3/4"	18-19	4000
7/8"	20-22	5700
1"	24-26	7000



SELB
ATEX / IECEx Approved to
Ex ia IIC T6
Ex tD A20 IP68 T85C



Clamp-On Series

Rope Clamp-On Load Cell

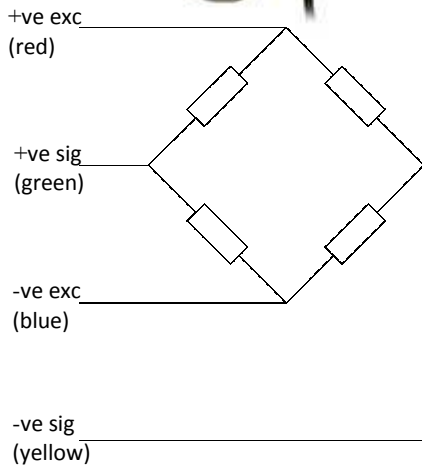
Size 2



- Range 9,700 to 17,900 kg
- For use with standard rope sizes 1-1/8" to 1-1/2"
- Fully welded stainless steel construction
- Sealed to IP68
- Low Weight

Approx. Capacities	9.7, 12.6, 15.1, 17.9	tonne
Full Load Output	1.0 nom	mV/V
Zero Load Output	<±5.0	%
Excitation (Max)	10 (15)	V
Accuracy	<1	%
Repeatability	<0.25	%
Input Resistance	375 (±20)	Ω
Output Resistance	350 (±2)	Ω
Compensated Temp. Range	-10 to +40	°C
Operating Temp. Range	-20 to +60	°C
Temp. Coefficient on Zero	<0.0010	% Capacity/°C
Temp Coefficient on Span	<0.0010	% Capacity/°C
Safe Overload	150	%
Insulation	>500 @100Vdc	MΩ
Environmental Protection	IP68	
Cable Length	10	m

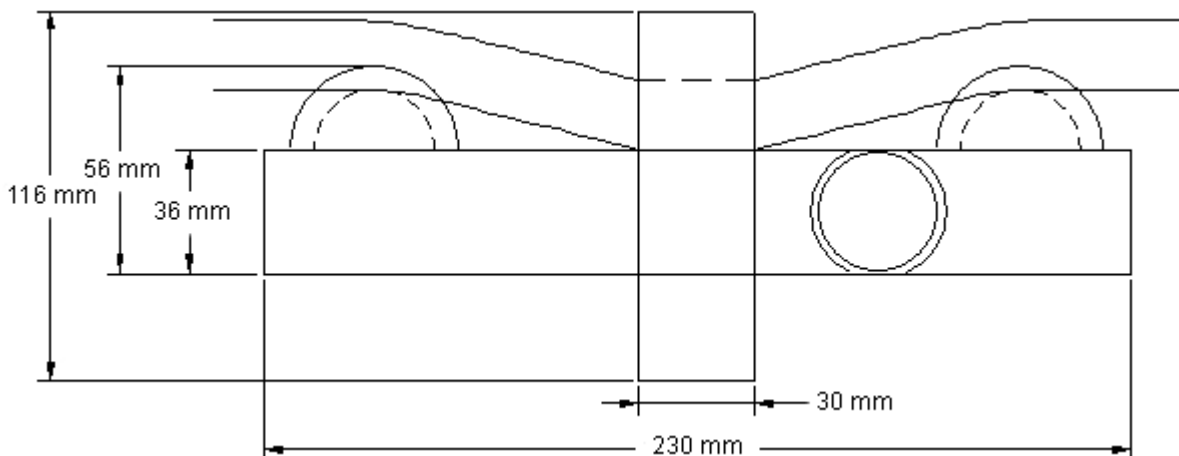
Specifications subject to change without notice



Parallel clamping system negates the need to alter standard rope installations, allowing straightforward fitting to existing systems.

Options: Other ranges available on request.
Interchangeable Blocks to vary load capacity/

Rope Thickness (in.)	Rope Thickness (mm)	LOAD (kg)
1-1/8"	28	9,700
1-1/4"	32	12,600
1-3/8"	35	15,100
1-1/2"	38	17,900



SELB
ATEX / IECEx Approved to
Ex ia IIC T6
Ex tD A20 IP68 T85C

