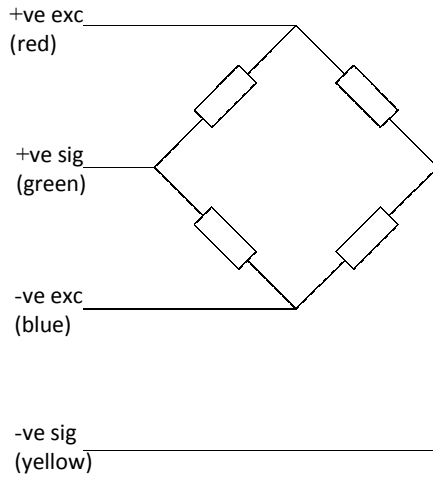


# Re-Bar

## Strain Gauge Reinforcing Bar



- Diameters 10mm to 32mm
- 3000 kg/cm<sup>2</sup> Capacity
- Robust Construction
- Manufactured for High Tensile Steel
- Triple Environmental Sealing to IP68 (10 bar)



Options :  
Other ranges available on request  
Different sizes and cable lengths available

Capacities	3000	Kg/cm <sup>2</sup>
Full Load Output	2.0 (±0.25%)	mV/V
Zero Load Output	<±2.0	%
Excitation (Max)	10 (15)	V
Accuracy	<0.25	%
Repeatability	<0.01	%
Input Resistance	350 (±20)	Ω
Output Resistance	350 (±2)	Ω
Compensated Temp. Range	-10 to +40	°C
Operating Temp. Range	-20 to +60	°C
Temp. Coefficient on Zero	<0.0015	% Capacity/°C
Temp Coefficient on Span	<0.002	% Capacity/°C
Safe Overload	140	%
Insulation	>500 @100Vdc	MΩ
Environmental Protection	IP68	
Cable Length	4	m

Specifications subject to change without notice

Type	A	B (Protective Case)	WEIGHT (kg)
REBAR-10	10	40	1.0
REBAR-12	12	40	1.4
REBAR-16	16	40	2.0
REBAR-20	20	50	3.0
REBAR-25	25	60	4.0
REBAR-32	32	60	6.0

All dimensions in mm

