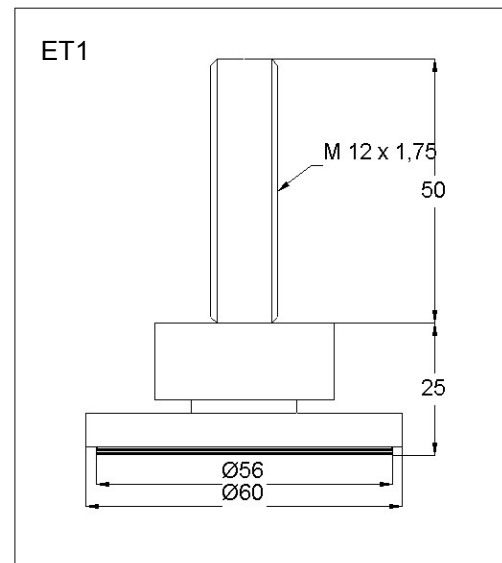
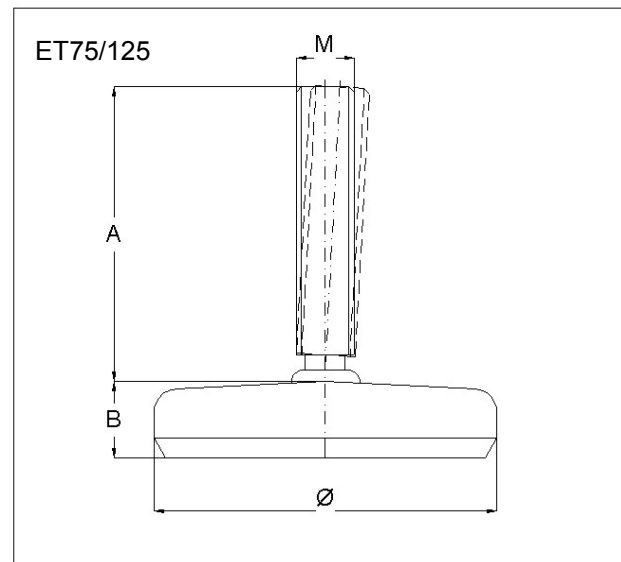


Load Cell Foot

Standard feet for load cells

- Load up to 5000Kg
- Robust construction
- Custom threads available
- Simple assembly
- Low Cost
- For use with ET load beams





LOWER PART	ET 75	ET 125
Ø DIAMETER	75 mm	125 mm
A MEASURE	50 mm	100 mm
B MEASURE	22 MM	37 MM
THREAD	M12	M20
CAPACITY	2000 KG	5000 KG

Specifications subject to change without notice