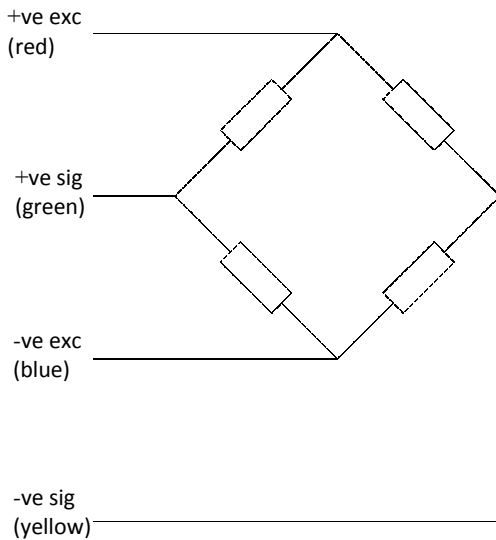


Comp Cell

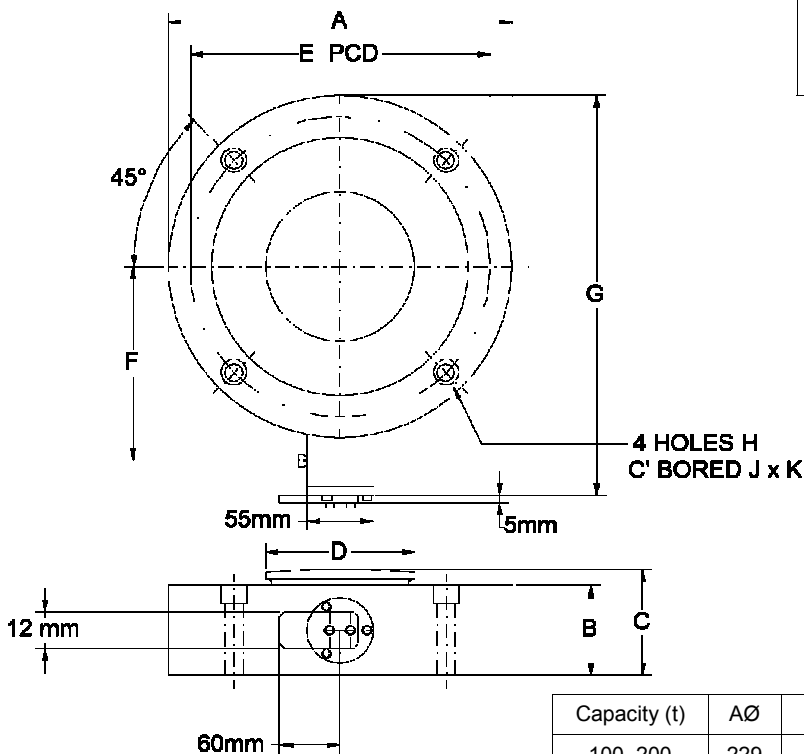
High Capacity Low Profile Design

- Range 100te to 750te
- Accuracy $\pm 0.1\%$
- Sealed to IP68
- Stainless steel construction
- Integral load button
- ATEX version available



Capacities	100, 200, 300, 500, 750	tonne
Full Load Output	2.0 ($\pm 0.25\%$)	mV/V
Zero Load Output	$< \pm 2.0$	%
Excitation (Max)	10 (15)	V
Accuracy	± 0.1	%
Input Resistance	750 (± 20)	Ω
Output Resistance	700 (± 2)	Ω
Compensated Temp. Range	-10 to +50	$^{\circ}\text{C}$
Operating Temp. Range	-20 to +60	$^{\circ}\text{C}$
Temp. Coefficient on Zero	< 0.005	% Capacity/ $^{\circ}\text{C}$
Temp Coefficient on Span	< 0.005	% Capacity/ $^{\circ}\text{C}$
Safe Overload	150	%
Environmental Protection	IP68	
Cable Length	4	m

Specifications subject to change without notice



Capacity (t)	A \varnothing	B	C	D \varnothing	E	F	G	H \varnothing	J \varnothing	K
100, 200	229	60	70	87	200	132	272	10.5	17	12
300	299	73	85	155	260	165	340	12.5	19	14
500, 750	299	105	120	155	260	165	340	12.5	19	14

All dimensions in mm

LPCC
ATEX / IECEx Approved to
Ex ia IIC T6
Ex tD A20 IP68 T85C



Features and Benefits:

- Welded construction
- Option cable protection plate
- Cable gland or M12 connector
- Optional 4-20mA output