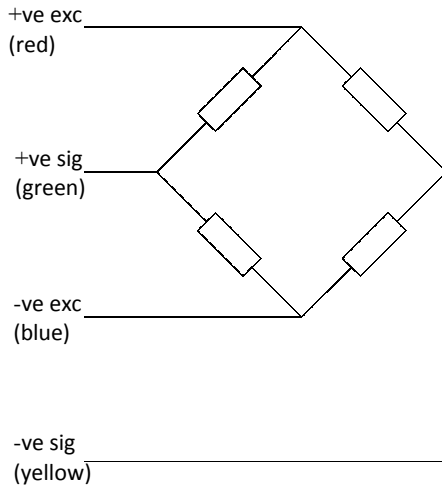


# Button Cell

## 500N to 20kN



- Capacities 500N to 20kN
- Sealed to IP65
- Low Profile
- Very Compact
- Integral Load Button
- Robust Construction

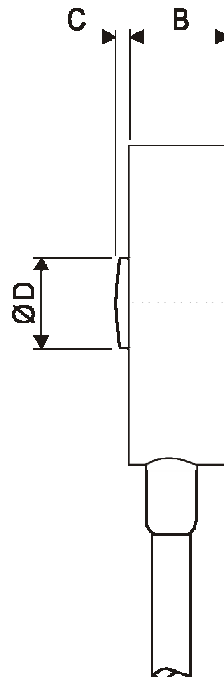
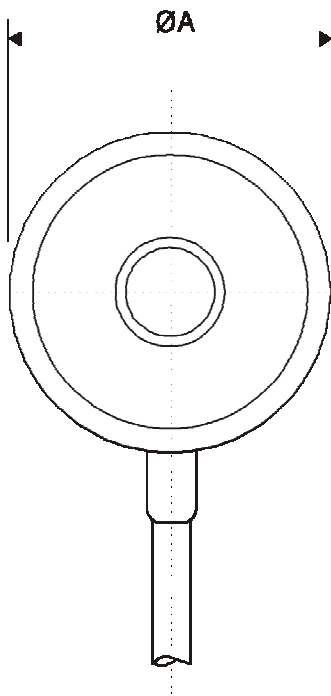


Capacity (kN)	A	B	C	D
0.5,1,2	15	7	0.5	4
5,10,20	30	11	0.5	4

All dimensions in mm

Capacities	0.5, 1, 2, 5, 10, 20	kN
Full Load Output	2.0 ( $\pm 0.25\%$ )	mV/V
Zero Load Output	$< \pm 2.0$	%
Excitation (Max)	10 (15)	V
Accuracy	$< 0.25$	%
Repeatability	$< 0.01$	%
Input Resistance	375 ( $\pm 20$ )	$\Omega$
Output Resistance	350 ( $\pm 2$ )	$\Omega$
Compensated Temp. Range	-10 to +40	$^{\circ}\text{C}$
Operating Temp. Range	-20 to +70	$^{\circ}\text{C}$
Temp. Coefficient on Zero	$< 0.0015$	% Capacity/ $^{\circ}\text{C}$
Temp Coefficient on Span	$< 0.002$	% Capacity/ $^{\circ}\text{C}$
Safe Overload	150	%
Insulation	$> 500 @ 100\text{Vdc}$	M $\Omega$
Environmental Protection	IP65	
Cable Length	4	m

Specifications subject to change without notice



Options :

- Non-Standard sizes available
- Other ranges available on request
- Special mounting adaptors available
- Shunt calibration facility
- Different temperature compensation available