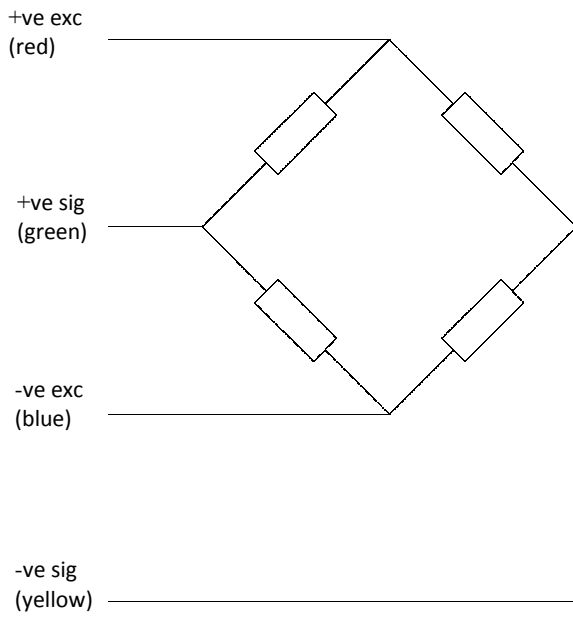


Chassis Mount Cell



- Low height
- Sealed to IP68
- Stainless load cell
- High accuracy



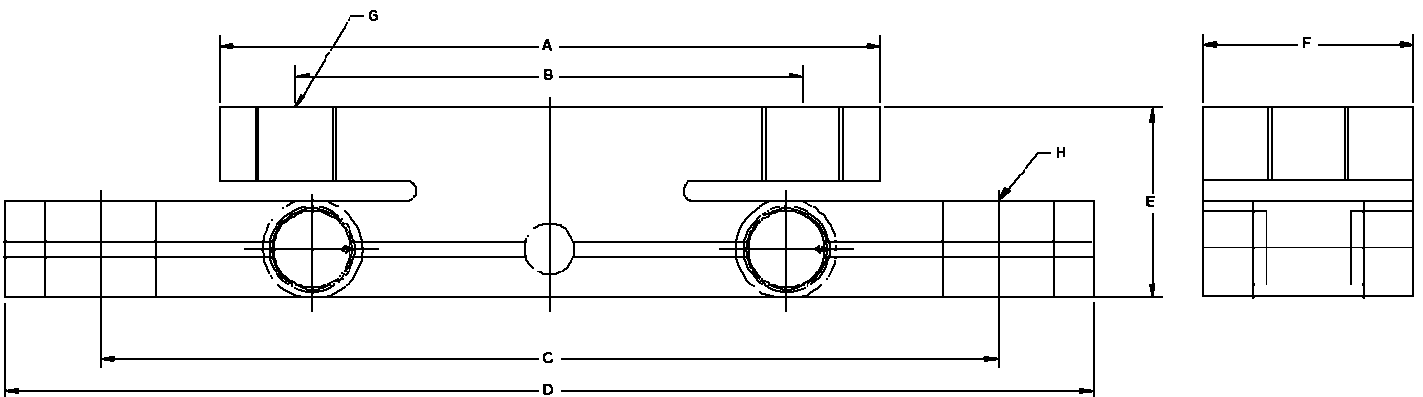
		TYPE CMC	
Capacity	10t, 15t	6t, 9t	tonne
Accuracy class	0.5	C1.5	
Rated output	1.2 ±0.25%	0.72	mV/V
Combined error	0.5	In accordance with OIML Class C1.5	%FRO
Non-repeatability	0.3		%FRO
Creep (30 mins)	0.03		%FRO
Temp. coef. of zero	0.005		%FRO
Temp. coef. of span	0.002		%FRO
Comp temp. range	-10 to +40		°C
Operating temp. range	-20 to +60	°C	
Safe overload	150	150	%
Ultimate overload	200	200	%
Zero balance	<2	<2	%
Input resistance	750 (±30)	750 (±30)	Ω
Output resistance	700 (±2)	700 (±2)	Ω
Insulation	<5000	<5000	M Ω
Excitation (max)	10 (18)	10 (18)	Volts
Env. protection	IP68	IP68	
4-core screened cable	10	10	Metres

Capacity	A	B	C	D	E	F	G	ØH
10t	198	152	269	326	57	63	M24	33
15t	198	152	269	326	63	63	M24	33

All dimensions in mm

Specifications subject to change without notice

Options :
 Atex approved versions.
 Alternative capacities available on request. Please enquire for details.



DELB
 ATEX / IECEx Approved to
 Ex ia IIC T6
 Ex tD A20 IP68 T85C

